

Pedestrian detector

Systems & Electronics Division
Sumitomo Electric Industries, Ltd.

Date: October, 2021

Radar for detecting Pedestrians

available now

Overview

- Pedestrians detector optimized for roadside modules.
- Operating for warning drivers with V2X radio in 5 prefectures in Japan since 2017.

Technology

- Transmits radio waves and analyze reflected waves
- Distinguished Antenna design
- Dedicated algorithm for roadside modules

Features

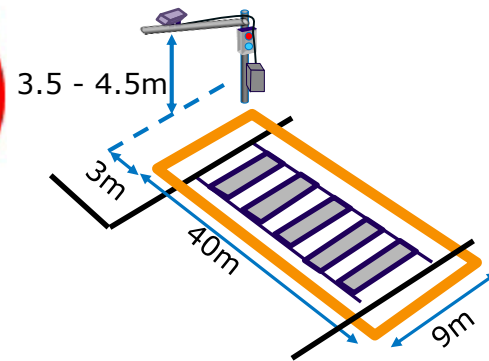
- Not affected by changes of weather and day/night
- Large cover area (40m x 9m) installed on existing polls and arms
- High accuracy



Cover area

Pedestrian

Operation in Japan



Cover area

New

Compact Radar for detecting Pedestrians

under development

Overview

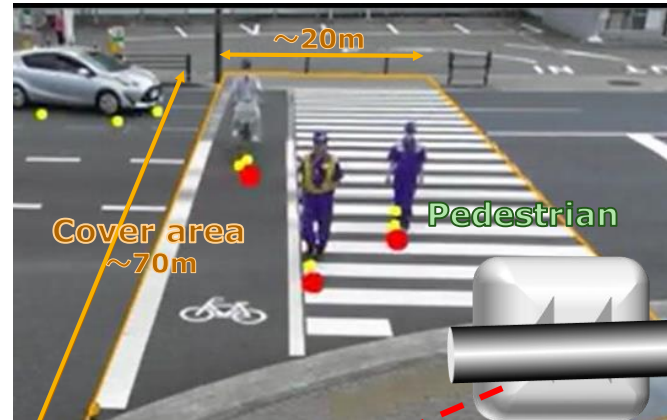
- Pedestrians detector optimized for roadside modules
- Adopting our antenna and logic technologies on our low cost platform

Technology

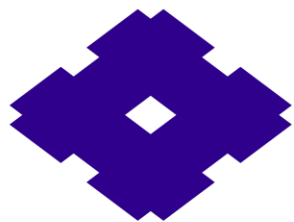
- Transmits radio waves and analyze reflected waves
- Distinguished Antenna design
- Dedicated algorithm for roadside modules
- Small size and cost effective

Features

- Not affected by changes of weather and day/night
- High accuracy with Semi-automatic adjustment tool
- Optimized Large cover area (70m x 20m)
Including detection below the radar
- Installed on existing polls and arms



Pedestrian Detector



**SUMITOMO
ELECTRIC**

Connect with Innovation

<https://sumitomoelectric.com/>